

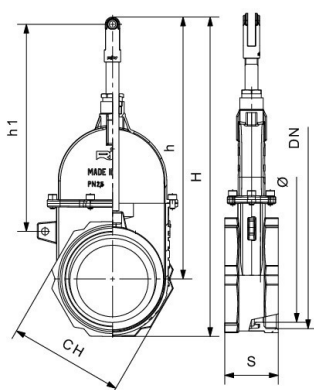


## RIV 61

NPT threaded piston gate valve

### Tech drawings and tables

DN	Code	Ø	H	h	S	h1	PN	KG	P/box
4"	050061000016	91	320	265	68	220	3bar - 45psi	3,873	1
6"	050061000019	144	480	390	82	320	2,5bar - 37psi	7,324	1

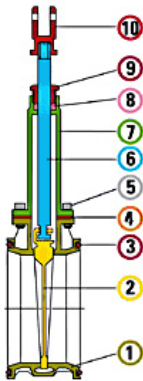


### Advantages

- Better tightness compared to other gate valves of the same type.
- Anticorrosion stainless steel screws.
- In accordance with 97/23/CE (PED) Directive.

## Technical data

Art. 10



### Materials

1	Body	Brass	CB754S
2	Wedge	Brass	CB754S
3	O-Ring	NBR	
4	Gasket	Fibre	
5	Screw	Stainless Steel	AISI 304
6	Stem	Brass	CW614N
7	Cap	Brass	CB754S
8	Tow packing	Fibre	
9	Stuffing-Box	Brass	CW614N
10	Fork	Brass	CW617N

**Connections** ISO 228/1, NPT, Square flange

**Limit** -20°C (without liquid) +90°C

**Notes** The max. working pressure (PN) means at a room temperature of about 23°C.